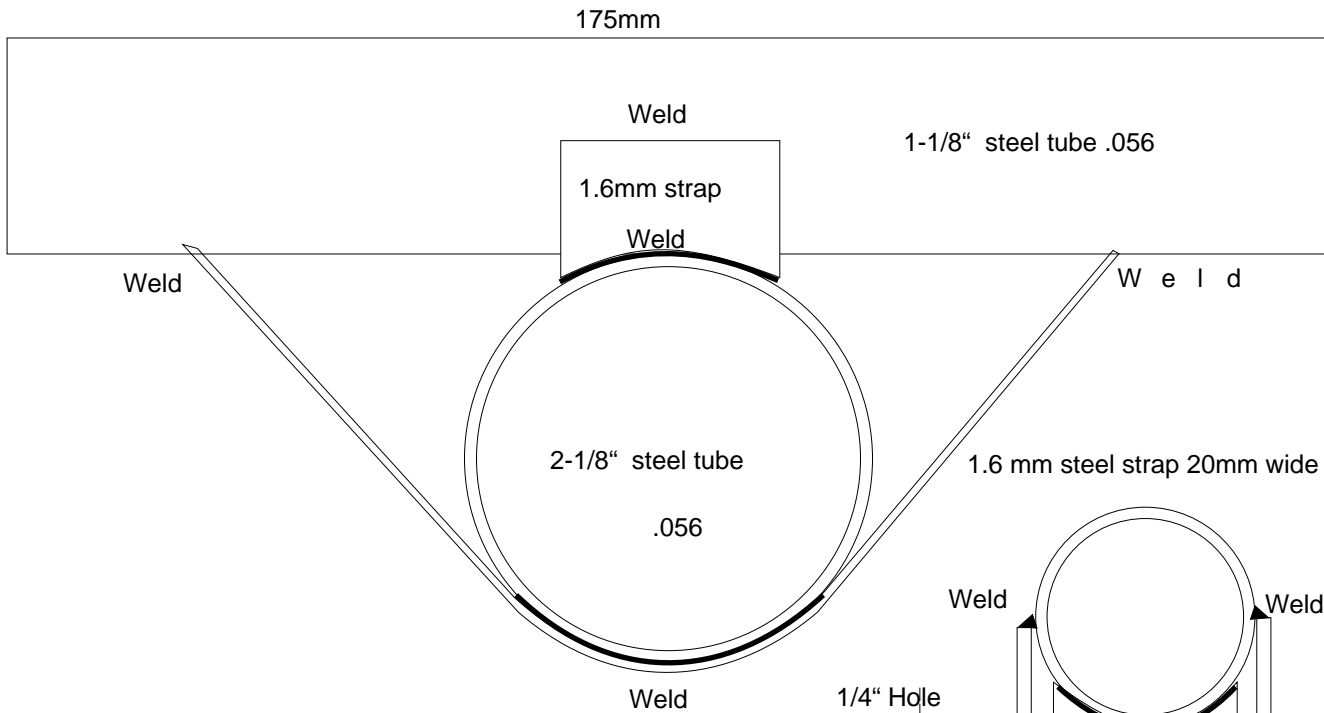
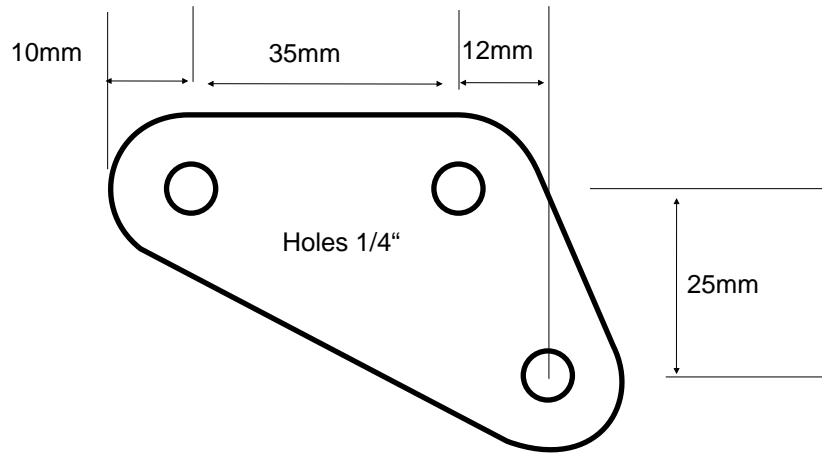


# Seat frame hinge plates (8 required)

Material: 3mm Aluminium plate



# Seat Frame Hinges (2 required)

